

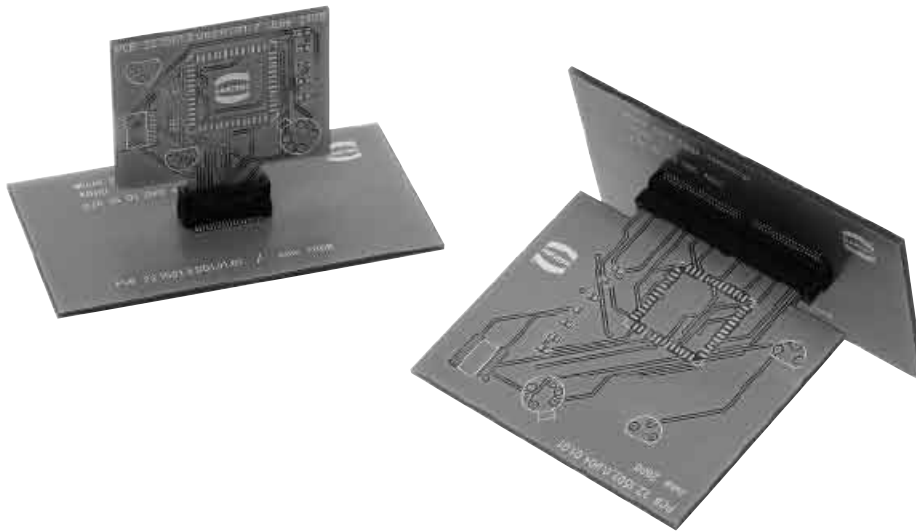
General information

HARTING offers the new Micro Card Edge connector in surface mount technology for PCBs with the thickness of 1.6 mm. The new connector is suitable for board-to-board mezzanine as well as for small „pluggable daughter card” applications. The key feature of the new connector in mezzanine applications is the achievement of flexible staple heights of parallel boards.

The HARTING Micro Card Edge connector allows data transfer rates up to 14Gbps and is suitable for high-speed applications in the telecom, medical and industrial markets. The connector is available with 40 or 100 contacts in 0.8 mm pitch.

An extremely smooth contact surface achieved by the usage of high performance stamping tools and a special surface finish ensures low insertion forces and a high contact reliability.

HARTING’s Micro Card Edge connector offers excellent features for high volume manufacturing like tape-and-reel packaging and a pad for nozzle in high volume productions.



Features

- High speed data transmission between mezzanine or daughter card boards in telecom, medical, datacom and industrial applications.
- The key feature for mezzanine application is that the distance between parallel boards is flexible by utilizing a small board between the connectors. This gives flexibility in the mechanical design of the system.
- SMT termination to boards gives good signal integrity characteristics for the card edge connector.

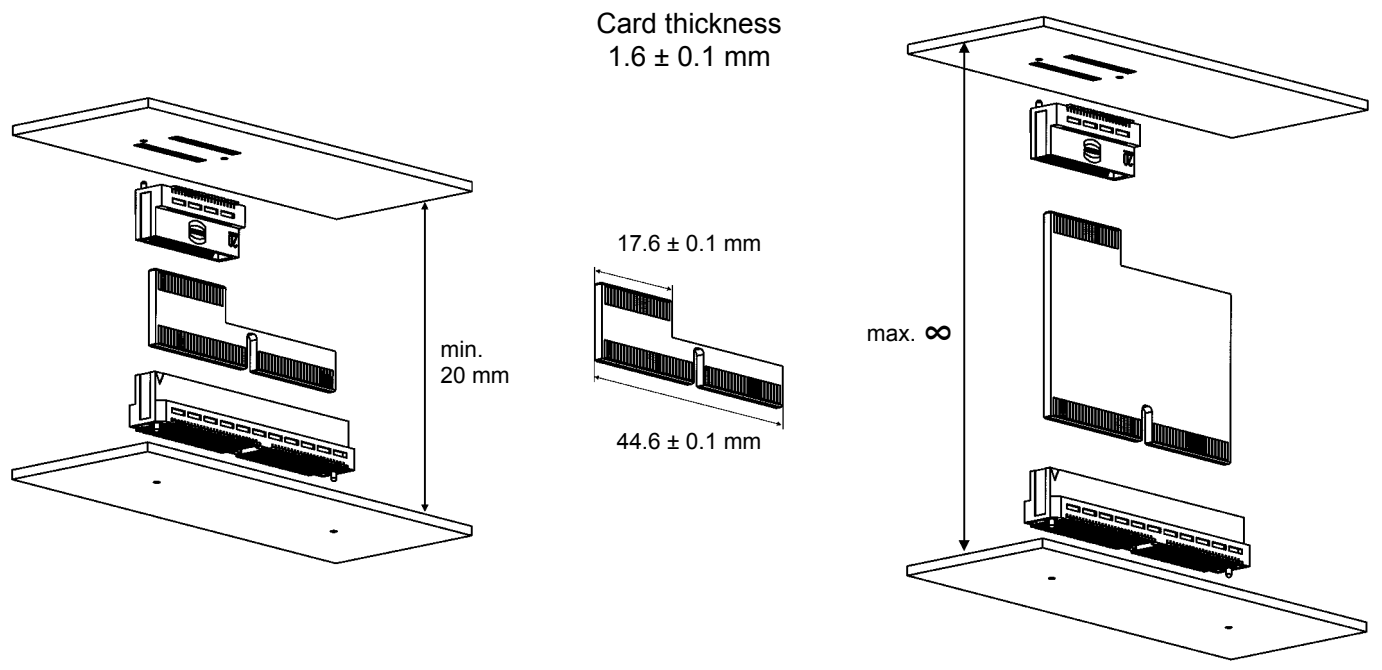
Technical characteristics

Rated current	1.7 A at 80 °C ambient
Rated voltage	400 V AC
Mating cycles	200
Insertion depth	4.22 mm – 5.66 mm
Number of contacts	40, 100
Card thickness	1.6 + 0.1 mm
Operating temperature	-55 °C up to +125 °C
Max processing temperature	230 °C for 60 sec. or 260 °C for 20 sec.
ROHS-compliance	yes

Materials

Contacts	CuSn8 with Ni plating
Contact zone	Au/Ni plating
Termination zone	Sn/Ni plating

Board dimensions



Micro Card Edge connector



40pin connector

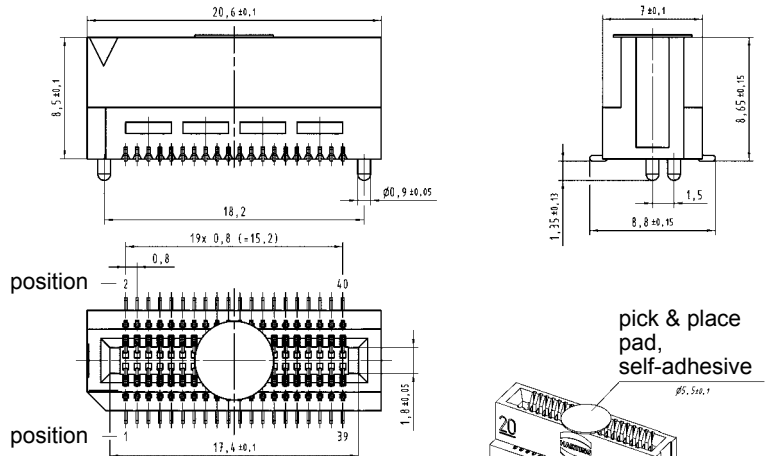
Identification	Number of contacts	Part No.	Drawing	Dimensions in mm
----------------	--------------------	----------	---------	------------------

Micro Card Edge connector

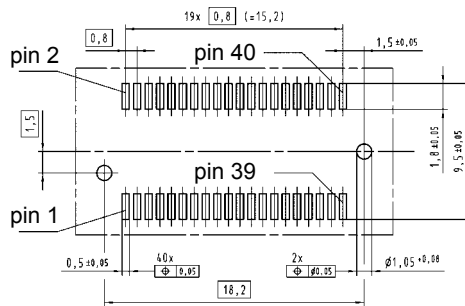
200 pieces in a "Tape and Reel" packaging

40

15 01 040 4601 040



Board layout



"Tape and Reel" packaging

